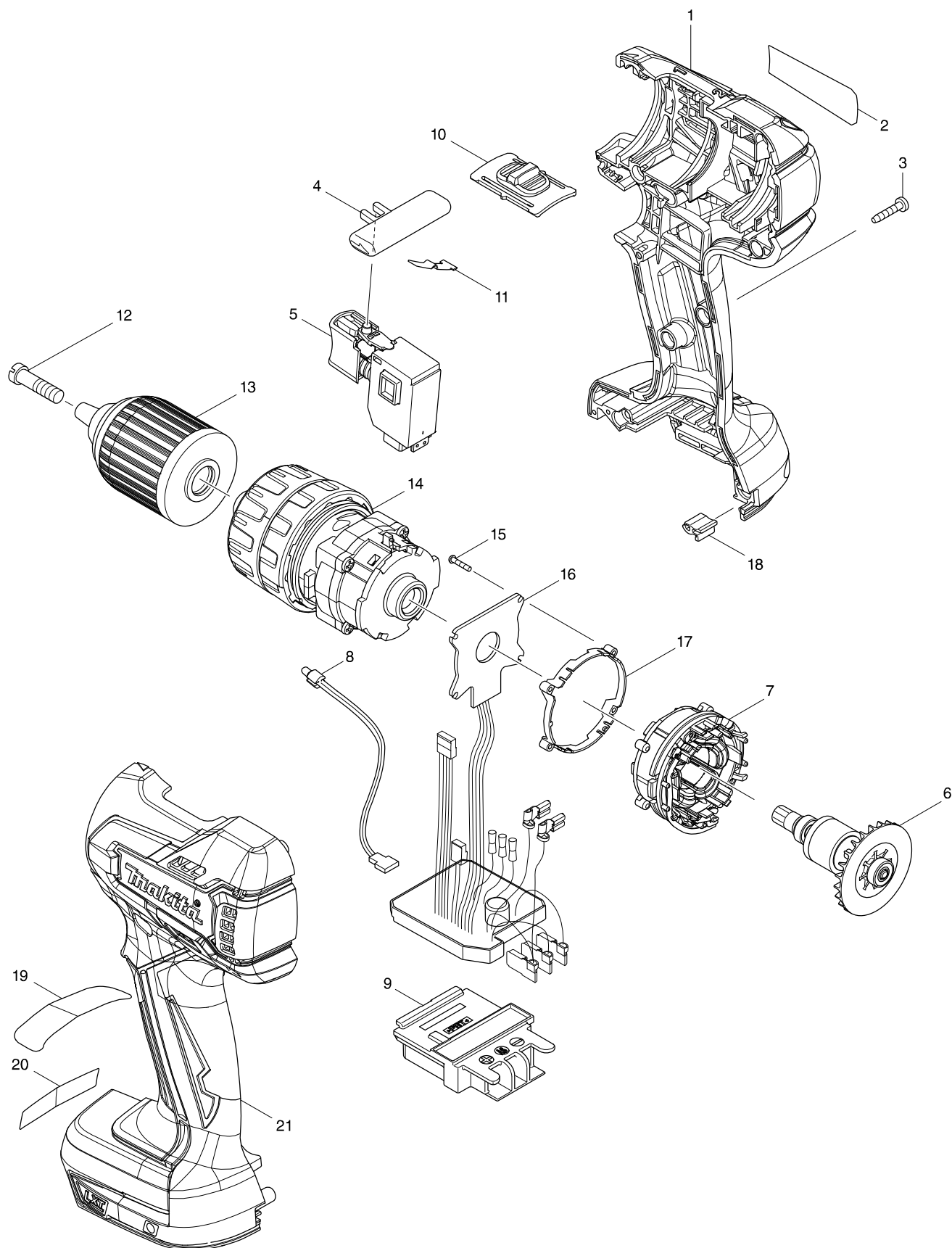


Číslo typu DHP459 CORDLESS HAMMER DRIVER DRILL



Číslo typu DHP459 CORDLESS HAMMER DRIVER DRILL

Strana 1 / 4

Položka	Číslo dílu	Popis	Změn	Množst	N/O	Možnost 1	Možnost 2	Poznámka
C10	263005-3	vymezovací čep 6		2	*			
D10		INC. 21			*			
001I	187454-9	HOUSING SET		1	*			
001J	187454-9	HOUSING SET		1	*			
001K	187454-9	HOUSING SET		1	*			
001L	187454-9	HOUSING SET		1	*			
001M	187454-9	HOUSING SET		1	*			
001N	187454-9	HOUSING SET		1	*			
001O	187454-9	HOUSING SET		1	*			
001P	187454-9	HOUSING SET		1	*			
001Q	187797-9	HOUSING SET		1	*			
001R	187454-9	HOUSING SET		1	*			
001S	187454-9	HOUSING SET		1	*			
C10	263005-3	vymezovací čep 6		2				
D10		INC. 21						
001-1I	187454-9	HOUSING SET	O	1				
001-1J	187454-9	HOUSING SET	O	1				
001-1K	187454-9	HOUSING SET	O	1				
001-1L	187454-9	HOUSING SET	O	1				
001-1M	187454-9	HOUSING SET	O	1				
001-1N	187454-9	HOUSING SET	O	1				
001-1O	187454-9	HOUSING SET	O	1				
001-1P	187454-9	HOUSING SET	O	1				
001-1Q	187797-9	HOUSING SET	O	1				
001-1R	187454-9	HOUSING SET	O	1				
001-1S	187454-9	HOUSING SET	O	1				
002	815B76-4	DHP459 NAME PLATE		1				
003	266429-2	TAPPING SCREW 3X16		9				
004	419250-0	přepínač směru BDF451		1				
005	650689-0	vypínač		1				
006	619304-5	rotor BDF459		1				
007	629960-3	stator		1				
008	620163-2	LED CIRCUIT		1				
009	643860-3	TERMINAL		1				
010	126180-5	SPEED CHANGE LEVER ASSEMBLY		1				
C10	233438-6	COMPRESSION SPRING 4		2				
011	232182-2	listová pružina		1				
012	251468-5	šroub MT065		1				
013	763175-3	rychlosklíčidlo 13mm=new196311-0		1				
014	126179-0	převodovka		1				
015	266786-8	+ PAN HEAD TAPPING SCREW 2X10		4				
016	620162-4	elektronika		1				
017	687464-1	SUPPORT		1				
018	424517-3	CUSHION		1				
C10	263005-3	vymezovací čep 6		2	*			
D10		INC. 1			*			
021I	187454-9	HOUSING SET		1	*			
021J	187454-9	HOUSING SET		1	*			

Položka	Číslo dílu	Popis	Změn	Množst	N/O	Možnost 1	Možnost 2	Poznámka
021K	187454-9	HOUSING SET		1	*			
021L	187454-9	HOUSING SET		1	*			
021M	187454-9	HOUSING SET		1	*			
021N	187454-9	HOUSING SET		1	*			
021O	187454-9	HOUSING SET		1	*			
021P	187454-9	HOUSING SET		1	*			
021Q	187797-9	HOUSING SET		1	*			
021R	187454-9	HOUSING SET		1	*			
021S	187454-9	HOUSING SET		1	*			
C10	263005-3	vymezovací čep 6		2				
D10		INC. 1						
021-1I	187454-9	HOUSING SET	O	1				
021-1J	187454-9	HOUSING SET	O	1				
021-1K	187454-9	HOUSING SET	O	1				
021-1L	187454-9	HOUSING SET	O	1				
021-1M	187454-9	HOUSING SET	O	1				
021-1N	187454-9	HOUSING SET	O	1				
021-1O	187454-9	HOUSING SET	O	1				
021-1P	187454-9	HOUSING SET	O	1				
021-1Q	187797-9	HOUSING SET	O	1				
021-1R	187454-9	HOUSING SET	O	1				
021-1S	187454-9	HOUSING SET	O	1				
A01	251314-2	028078		1				
A02I	346317-0	háček BDF/BHP446_456		1				
A02J	346317-0	háček BDF/BHP446_456		1				
A02K	346449-3	HOOK		1				
A02L	346317-0	háček BDF/BHP446_456		1				
A02M	346317-0	háček BDF/BHP446_456		1				
A02N	346317-0	háček BDF/BHP446_456		1				
A02O	346449-3	HOOK		1				
A02P	346317-0	háček BDF/BHP446_456		1				
A02Q	346317-0	háček BDF/BHP446_456		1				
A02R	346317-0	háček BDF/BHP446_456		1				
A02S	346449-3	HOOK		1				
A03	784637-8	(+ -) Bit 2-45		1				
A04I	***DC18RC	DC18RC FAST CHARGER		1				
A04K	***DC18RC	DC18RC FAST CHARGER		1				
A04L	***DC18RC	DC18RC FAST CHARGER		1				
A04M	821550-0	systainer Makpac 395x295x157mm		1				
C10	453974-8	LATCH		4				
A04N	***DC18RC	DC18RC FAST CHARGER		1				
A04O	***DC18RC	DC18RC FAST CHARGER		1				
A04P	***DC18RC	DC18RC FAST CHARGER		1				
A04Q	***DC18RC	DC18RC FAST CHARGER		1				
A04R	***DC18RC	DC18RC FAST CHARGER		1				
A04S	***DC18RC	DC18RC FAST CHARGER		1				
A05I	194204-5	baterie BL1830 18V/3,0Ah Li-ion		2				
A05K	194513-2	baterie BL1815 18V/1,3Ah Li-ion		2				

Položka	Číslo dílu	Popis	Změn	Množst	N/O	Možnost 1	Možnost 2	Poznámka
A05L	194204-5	baterie BL1830 18V/3,0Ah Li-ion		2				
A05M	837916-4	INNER TRAY		1				
A05N	196399-0	BATTERY BL1840 SET		2				
A05O	196460-3	BATTERY BL1820 SET		2				
A05P	196399-0	BATTERY BL1840 SET		2				
A05Q	196399-0	BATTERY BL1840 SET		2				
A05R	194204-5	baterie BL1830 18V/3,0Ah Li-ion		3				
A05S	196235-0	BATTERY BL1815N SET		2				
A06I	450128-8	kryt baterie		1				
A06K	450128-8	kryt baterie		1				
A06L	450128-8	kryt baterie		1				
A06M	802M93-9	DHP459ZJ INDICATION LABEL		1				
A06N	450128-8	kryt baterie		1				
A06O	450128-8	kryt baterie		1				
A06P	450128-8	kryt baterie		1				
A06Q	450128-8	kryt baterie		1				
A06R	450128-8	kryt baterie		2				
A06S	450128-8	kryt baterie		1				
A07I	158597-4	plastový kufr BDF442/452		1				
C10	324679-6	SHAFT		1				
C20	417724-5	sponka ke kufru 6317DW		2				
C30	419216-0	HANDLE		1				
A07K	158597-4	plastový kufr BDF442/452		1				
C10	324679-6	SHAFT		1				
C20	417724-5	sponka ke kufru 6317DW		2				
C30	419216-0	HANDLE		1				
A07L	821550-0	system Makpac 395x295x157mm		1				
C10	453974-8	LATCH		4				
A07M	802M78-5	DHP459ZJ PLASTIC CASE LABEL		2				
A07N	158597-4	plastový kufr BDF442/452		1				
C10	324679-6	SHAFT		1				
C20	417724-5	sponka ke kufru 6317DW		2				
C30	419216-0	HANDLE		1				
A07O	158597-4	plastový kufr BDF442/452		1				
C10	324679-6	SHAFT		1				
C20	417724-5	sponka ke kufru 6317DW		2				
C30	419216-0	HANDLE		1				
A07P	821550-0	system Makpac 395x295x157mm		1				
C10	453974-8	LATCH		4				
A07Q	123198-7	ALUMINUM CASE ASSEMBLY		1				
A07R	821550-0	system Makpac 395x295x157mm		1				
C10	453974-8	LATCH		4				
A07S	158597-4	plastový kufr BDF442/452		1				
C10	324679-6	SHAFT		1				
C20	417724-5	sponka ke kufru 6317DW		2				
C30	419216-0	HANDLE		1				
A08I	802M65-4	DHP459RFE PLASTIC CASE LABEL		2				
A08K	802M74-3	DHP459RHE PLASTIC CASE LABEL		2				

